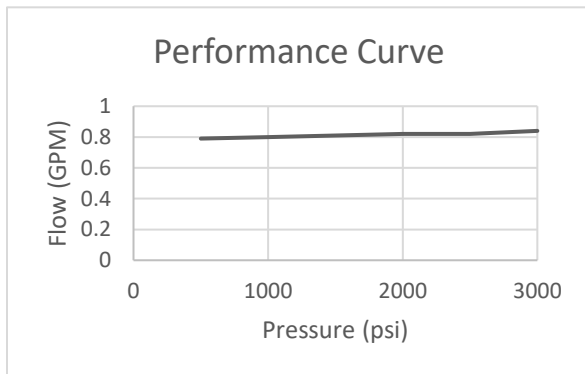
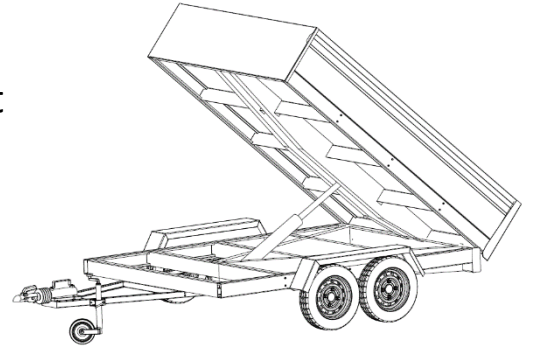


BRIDON Flow Control Fittings

Provide **Stable and Controlled**

Benefits:

- Flow control — where you need it, when you want it
- Controls lowering flow
- Connects right to the cylinder
- Eliminates leak points
- No manifold needed



Features:

- Up to 3000 psi
- Low reverse-flow pressure drop
- High performance seals
- All in one simple fitting



bridon
Industries

See for yourself.

Call us at **952-470-6179**.

Email us at sales@bridonindustries.com.

Visit our new website at www.bridonindustries.com.

