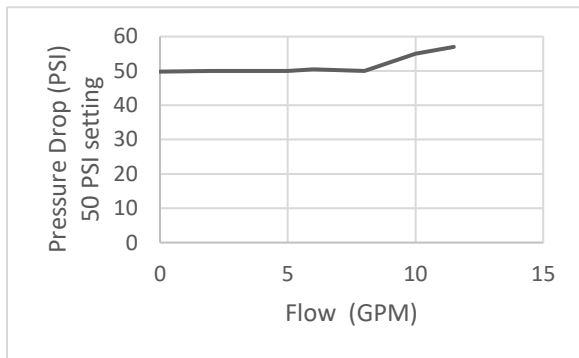
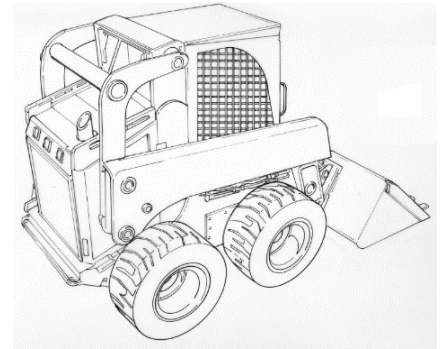


BRIDON Bypass Relief Valves

Protecting Filters and Coolers in Cold Weather

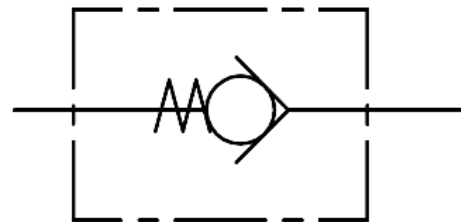
Benefits:

- Reduce high pressure drop through filters and coolers
- Can be installed within a fitting
- Flat flow curves
- Protect during high flow surges
- Prevent cooler and filter overpressure
- Insensitive to contamination
- Cost-effective solution to startup pressure issues



Features:

- Up to 60 GPM
- Preset pressure settings to 150 psi
- Customizable to nearly any fitting
- 100% tested



bridon
industries

See for yourself.

Call us at **952-470-6179**.

Email us at sales@bridonindustries.com.

Visit our new website at www.bridonindustries.com.

