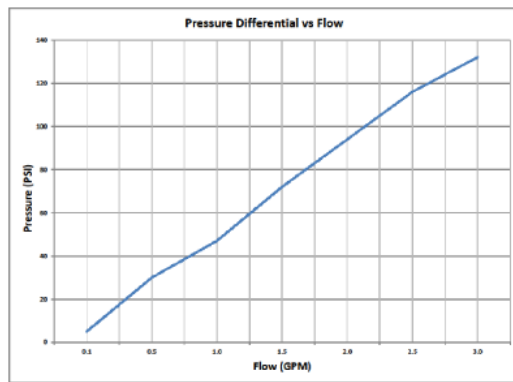
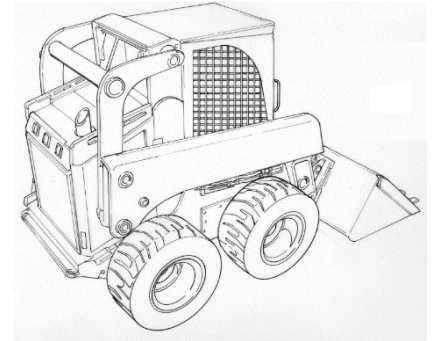


BRIDON Filter Fittings

Protecting Components from Dirt and Debris

Benefits:

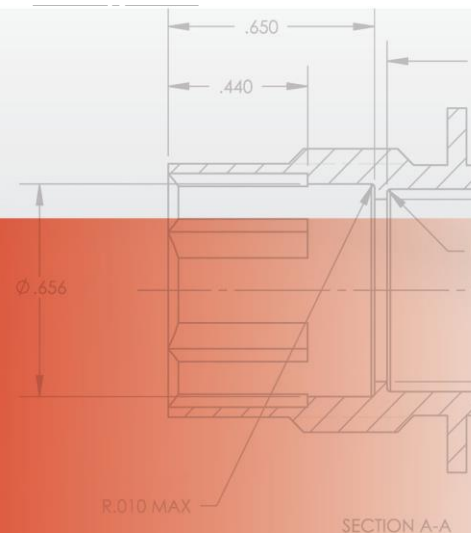
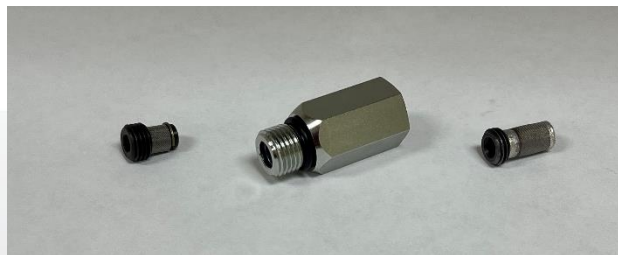
- Adapt to nearly any adapter, fitting, or insert
- Protect components from contamination
- Ensure field-install cleanliness
- Boost point-of-use filtration near components



Features:

- Mesh to 50-micron or courser filter
- Progressive filtration options
- High blowout pressures tested above 4800 psi burst

Reference Pressure Drop: SAE-6 Fitting with Progressive 100 Mesh to 50-micron Filter



bridon
industries

See for yourself.

Call us at **952-470-6179**.

Email us at sales@bridonindustries.com.

Visit our new website at www.bridonindustries.com.