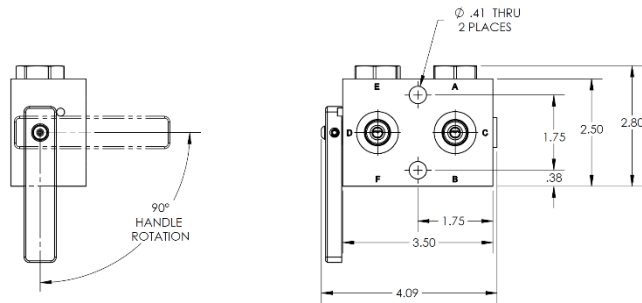


**Patented**  
**Pat Num D8886951**  
**Ball Valve 6-way**  
**06-250-232**



**Description:**

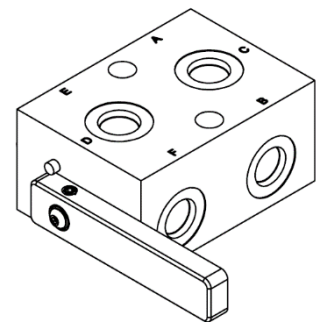
Pressure-balanced 6-way low leakage ¼ turn ball valve.

**Features:**

- Ideal for controlling 2 loaded systems using only one power unit
- Easy SAE ORB port connections
- Plated alloy steel and anodized aluminum construction
- Handle included
- Patented pressure-balanced ball seats enables the valve to actuate under pressure

**Specifications:**

- Maximum Operating Pressure: 3000 psi
- Nominal Flow Capacity: 6 GPM
- Operating Temperatures Range: -40 °F to 210 °F
- Fluids: Mineral Based Hydraulic Fluids
- Seals: Specialized Polymer Seats and seals with Nitrile Orings and PTFE backups



**Ordering Information:**

Assembly Part Number	Ordering Options
<b>06-250-232</b>	

**Bridon Industries, Inc**  
1157 Valley Park Drive Suite 125 Shakopee, MN 55379  
Tel: 952 470-6179 Fax: 952 767-6703  
Visit us at [www.bridonindustries.com](http://www.bridonindustries.com)