



(12) **United States Design Patent**  
**Peterson et al.**

(10) **Patent No.:** **US D886,951 S**  
(45) **Date of Patent:** **\*\* Jun. 9, 2020**

- (54) **BALL VALVE SEAT**
- (71) Applicant: **Bridon Industries, Inc.**, Shakopee, MN (US)
- (72) Inventors: **Craig L. Peterson**, Carver, MN (US);  
**Todd R. Becken**, Carver, MN (US)
- (73) Assignee: **Bridon Industries, Inc.**, Shakopee, MN (US)
- (\*\*) Term: **15 Years**
- (21) Appl. No.: **29/661,206**

D731,035 S	6/2015	Lo Cicero	
D748,228 S	1/2016	Bayyouk et al.	
9,541,203 B2	1/2017	Dalluge	
D785,144 S *	4/2017	Kitagawa	D23/269
D818,089 S *	5/2018	Kim	D23/269
D834,156 S *	11/2018	Soria	D23/269
2001/0029981 A1 *	10/2001	Penza	F04B 39/1053 137/516.23
2012/0292550 A1 *	11/2012	Meek	F16K 3/0236 251/359
2013/0168591 A1 *	7/2013	Webster	F16K 99/00 251/328
2015/0226342 A1 *	8/2015	Lo Cicero	F16K 5/0673 251/314

- (22) Filed: **Aug. 24, 2018**
  - (51) **LOC (12) Cl.** ..... **23-01**
  - (52) **U.S. Cl.**  
USPC ..... **D23/233; D23/269**
  - (58) **Field of Classification Search**  
USPC ..... D23/230, 233-234, 236-237, 249,  
D23/259-261, 269; 137/15.23, 533.15,  
137/533.11; 251/314, 315, 357, 359-362,  
251/368
- See application file for complete search history.

\* cited by examiner

*Primary Examiner* — Amy C Wierenga  
(74) *Attorney, Agent, or Firm* — Dicke, Billig & Czaja, PLLC

(56) **References Cited**

**U.S. PATENT DOCUMENTS**

D351,459 S *	10/1994	Andersson	D23/269
D374,710 S	10/1996	Gustafsson	
D514,671 S *	2/2006	Jones	D23/269
D563,531 S *	3/2008	Katsura	D23/269
D574,934 S *	8/2008	Darce	D23/269
D607,091 S *	12/2009	Weston	D23/269
D614,271 S	4/2010	Weston	
D633,991 S	3/2011	Nakagawa	
D700,682 S *	3/2014	Bayyouk	D23/233

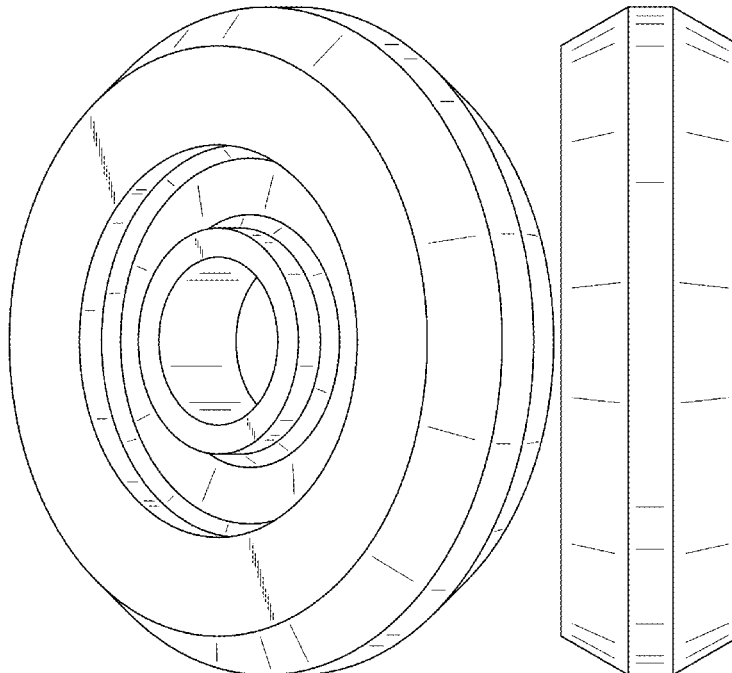
(57) **CLAIM**

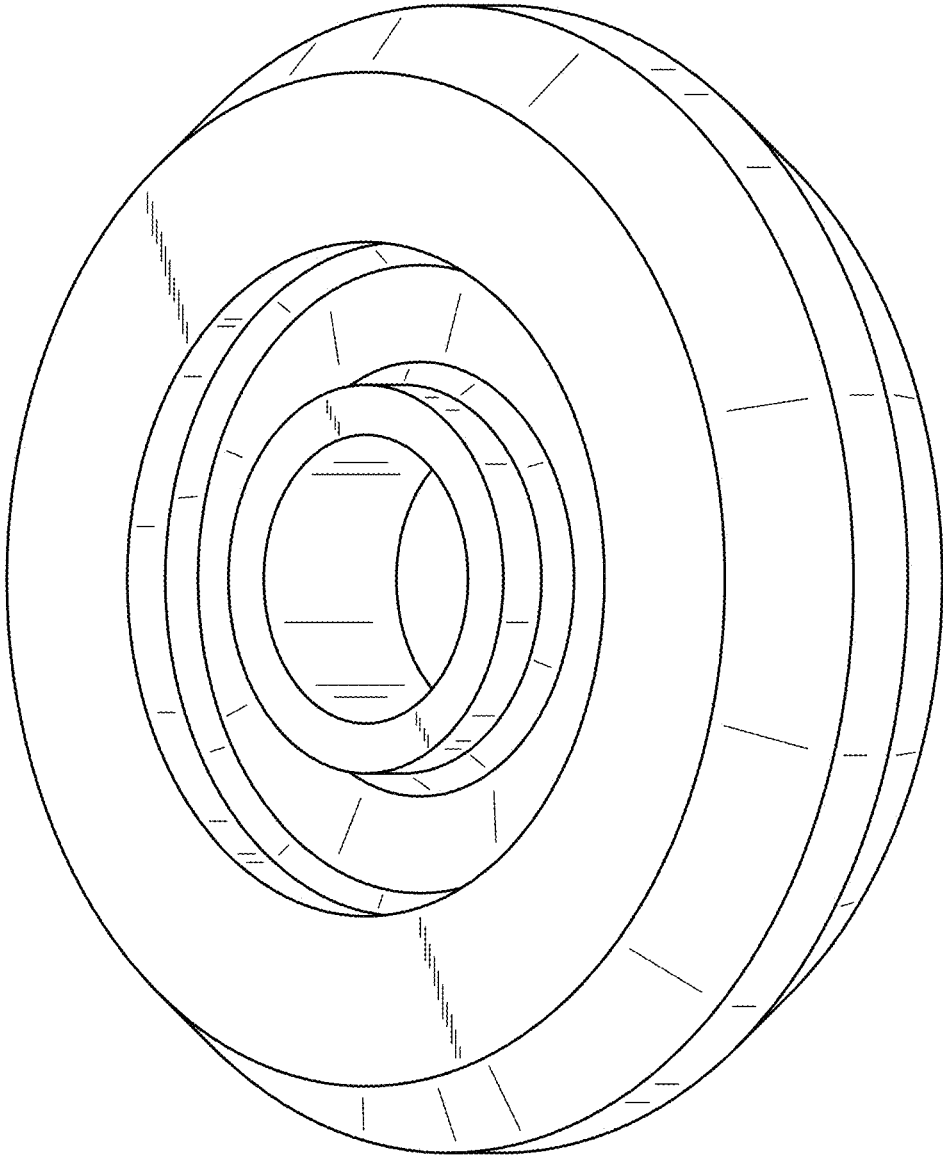
The ornamental design for a ball valve seat, substantially as shown and described.

**DESCRIPTION**

FIG. 1 is a left-front perspective view of the Design for the ball valve seat;  
FIG. 2 is a right-front perspective view thereof;  
FIG. 3 is a left view thereof;  
FIG. 4 is a right view thereof;  
FIG. 5 is a front view thereof, the rear, the top, and the bottom views thereof being the same as the front view thereof; and,  
FIG. 6 is a cross-sectional view thereof taken along line 6-6 of FIG. 4.

**1 Claim, 6 Drawing Sheets**





**FIG. 1**

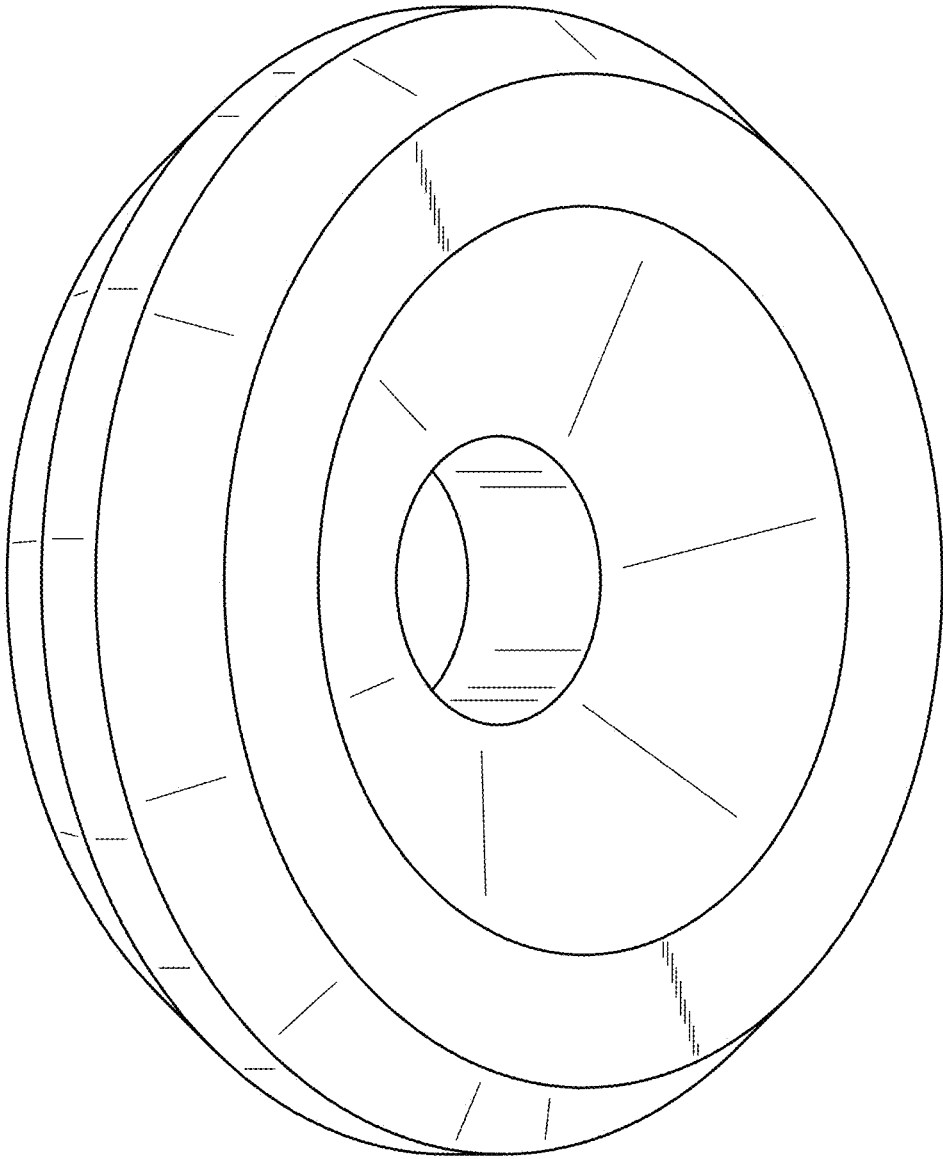


FIG. 2

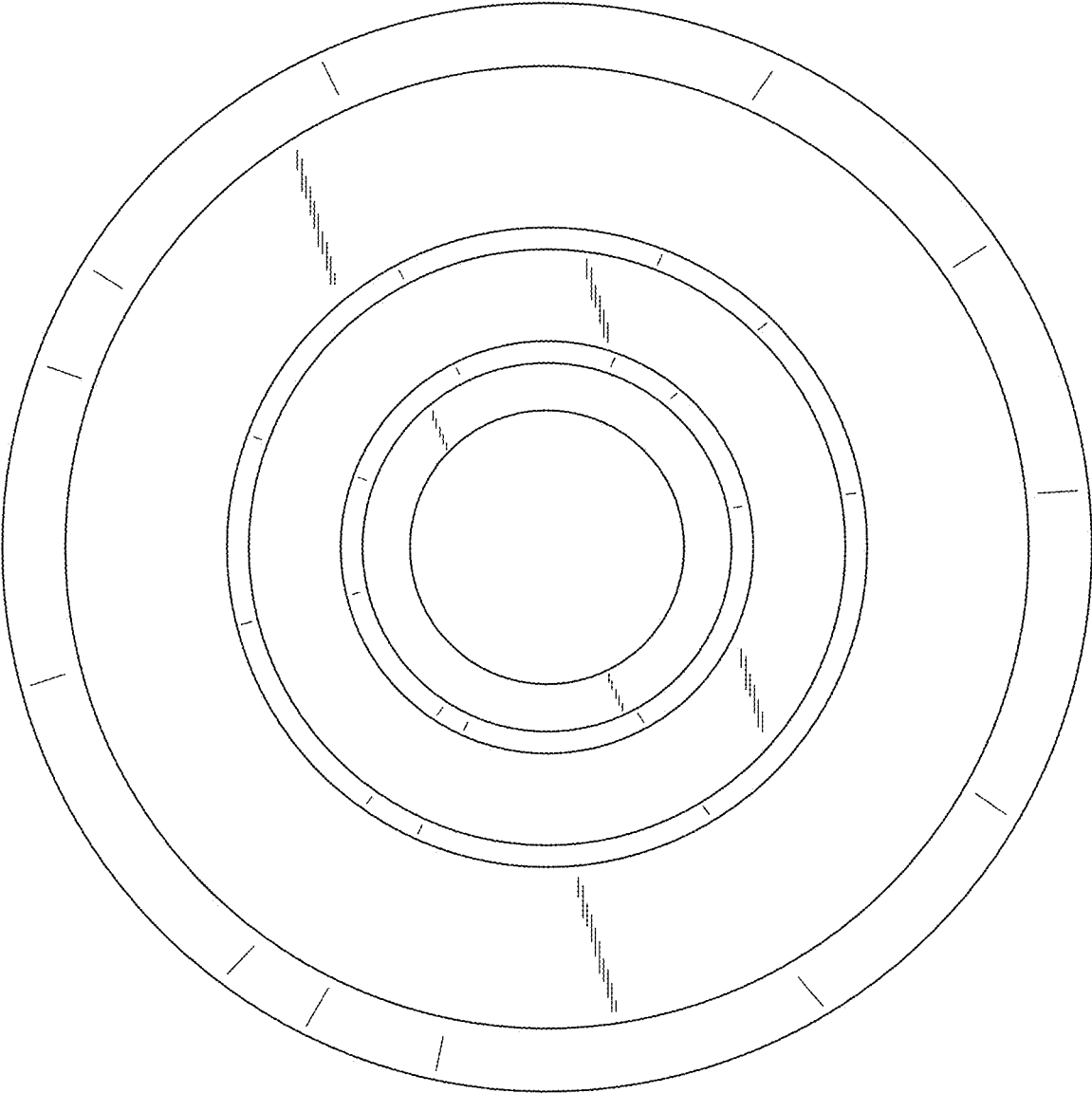


FIG. 3

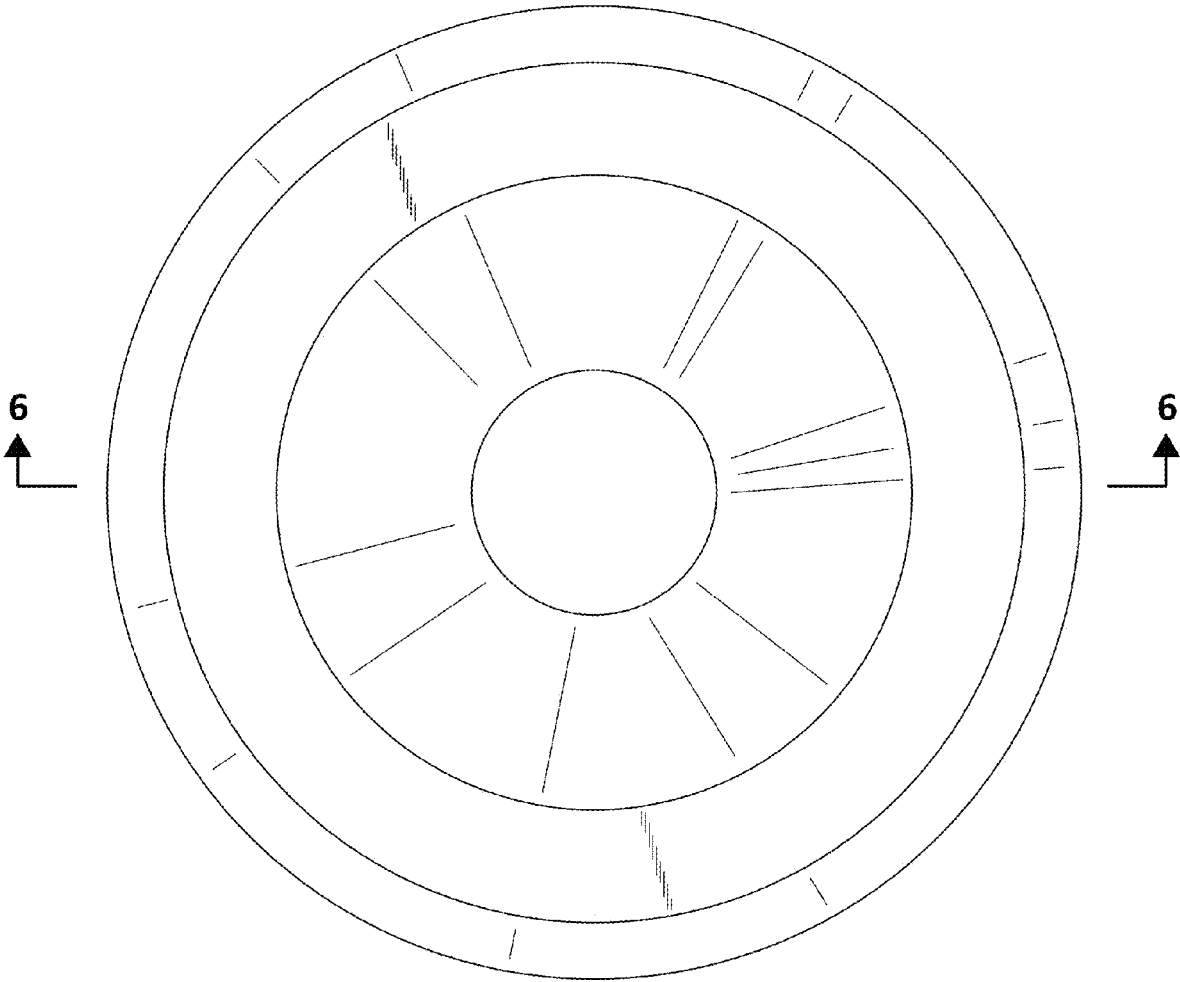


FIG. 4

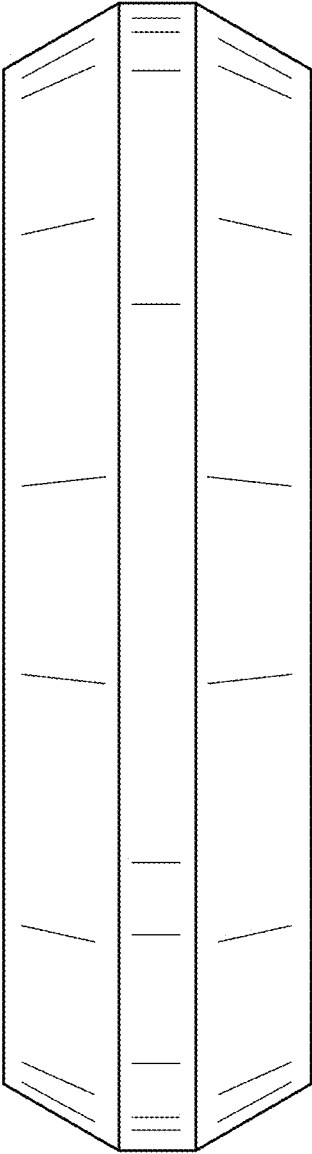


FIG. 5

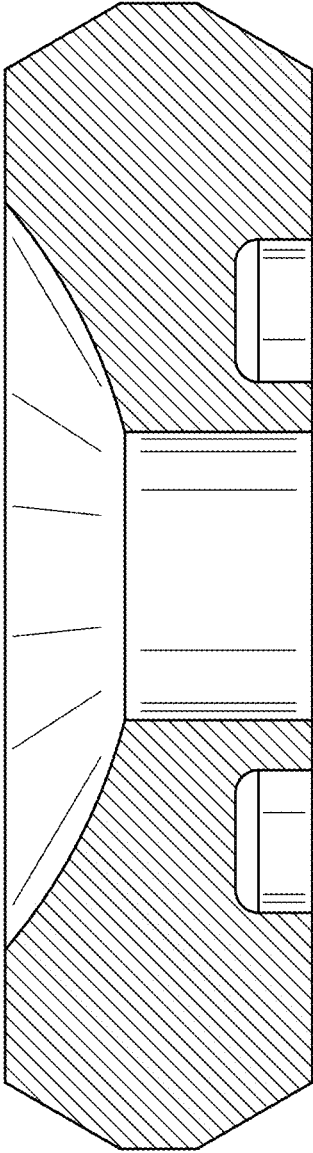


FIG. 6