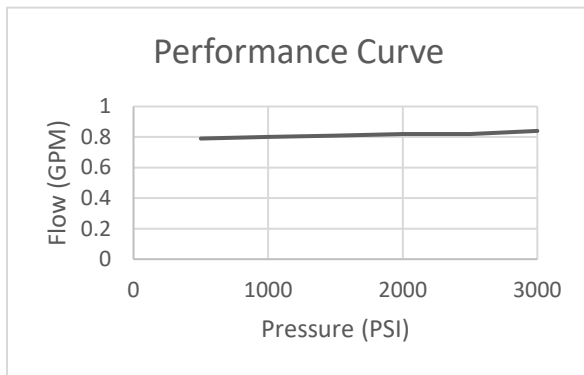
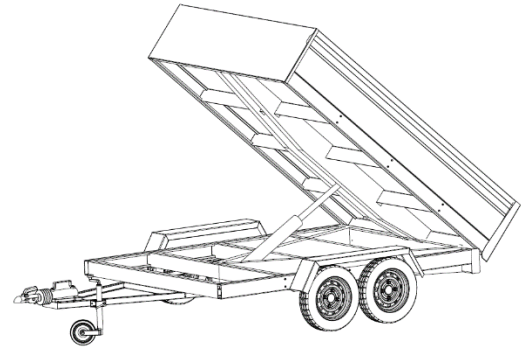


Bridon provides **Stable and Controlled** Flow Control Fittings

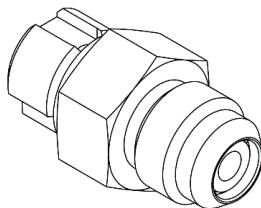
Install the flow control where you need it and how you want it

- Controls lowering flow
- Connects right to the cylinder
- Eliminates leak points
- No manifold needed



Features:

- **Up to 3000 PSI**
- **Low reverse flow pressure drop**
- **High performance seals**
- **All in one simple fitting**



bridon
industries

See for yourself.

Call us at **952-470-6179**.

Email us at sales@bridonindustries.com.

Visit our new website at www.bridonindustries.com.

