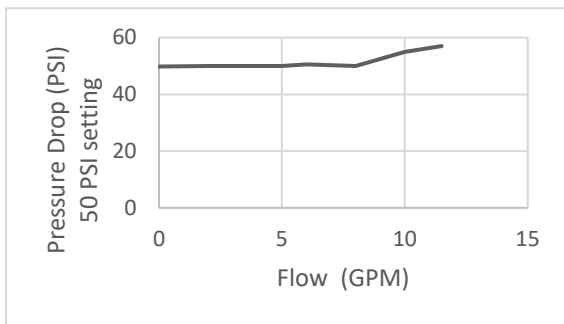
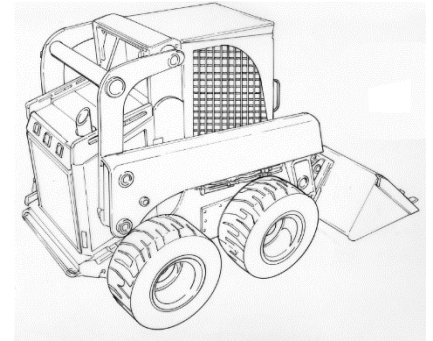


Bridon Bypass Relief Valves

Saving Filters and Coolers in Cold Weather

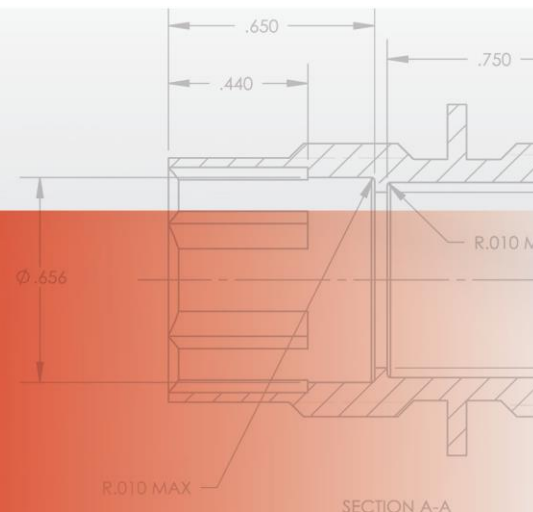
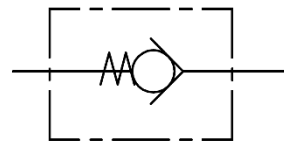
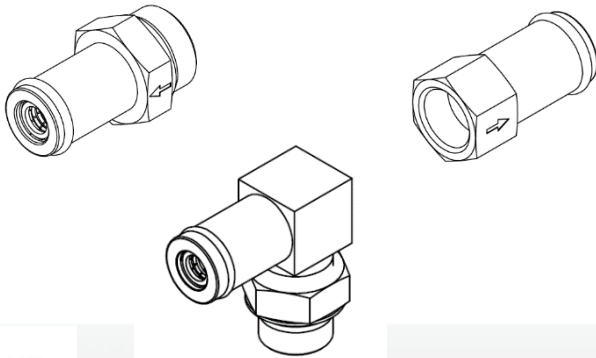
Reduces high pressure drop through filters and coolers

- Can be installed integral to a fitting
- Flat flow curves
- Protects during high flow surges
- Prevents cooler and filter overpressure
- Insensitive to contamination
- Cost effective solution to startup pressure issues



Features:

- Up to 60 GPM
- Preset pressure settings to 150 PSI
- Customizable to nearly any fitting
- 100% tested



See for yourself.

Call us at **952-470-6179**.

Email us at sales@bridonindustries.com.

Visit our new website at www.bridonindustries.com.