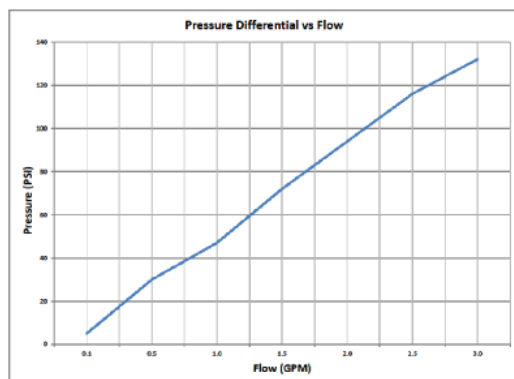
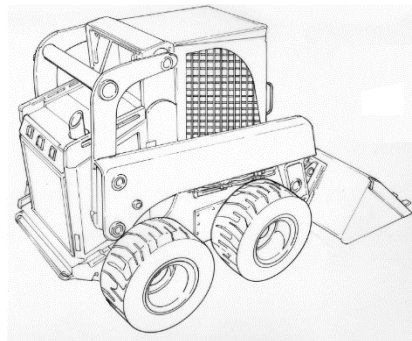


Bridon Filter Fittings

Protect Components From Dirt and Debris

Install to Protect Components

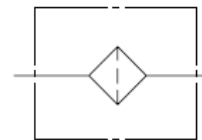
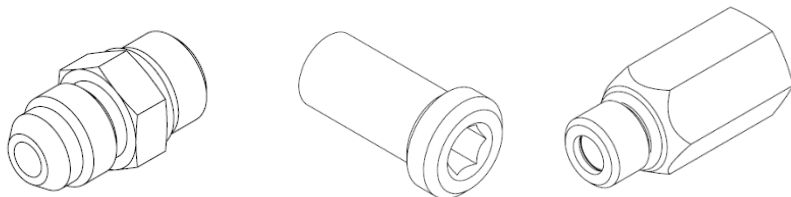
- Can be adapted to nearly any adapter, fitting, or insert
- Protects components from contamination
- Use for field install cleanliness issues
- Can boost point of use filtration near components



Reference Pressure Drop: SAE-6 Fitting With Progressive 100 Mesh to 50 Micron Filter

Features:

- Filters of 50 micron or larger mesh
- Progressive filtration options
- High blowout pressures tested above 4800 PSI burst



See for yourself.

Call us at **952-470-6179**.

Email us at sales@bridonindustries.com.

Visit our new website at www.bridonindustries.com.

