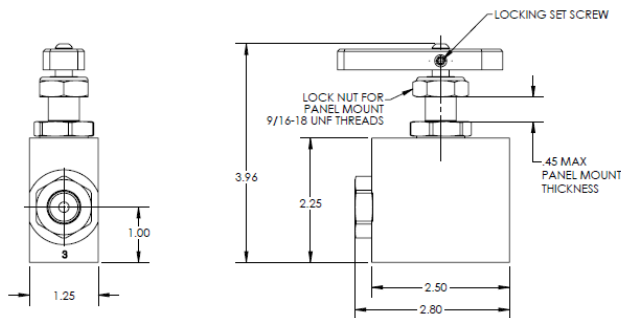


Ball Valve On/Off
06-250-231
3-Way Pressure Balanced



Description:

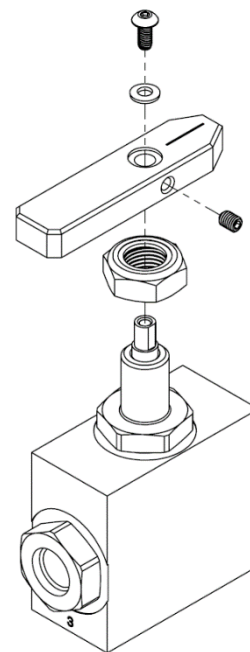
Pressure-balanced 3-way low leakage ¼ turn ball valve.
 Pressure -balanced ball seats enables the valve to actuate under pressure

Features:

- Ideal for controlling loaded systems such as a cylinder locking valve
- 3rd port for passive reservoir connection
- Plated alloy steel and anodized aircraft aluminum construction
- Handle included (Unassembled for bulkhead installation)

Specifications:

- Maximum Operating Pressure: 3000 psi
- Nominal Flow Capacity: 6 GPM
- Maximum Internal Leakage: 5 drops/min
- Operating Temperatures Range: -40 °F to 210 °F
- Fluids: Mineral Based Hydraulic Fluids
- Seals: Specialized Polymer Seats and seals with Nitrile Orings and PTFE backups



Ordering Information:

Assembly Part Number	Ordering Options
06-250-231	Product comes with handle disassembled for bulkhead installation

Bridon Industries, Inc
 1157 Valley Park Drive Suite 125 Shakopee, MN 55379
 Tel: 952 470-6179 Fax: 952 767-6703
 Visit us at www.bridonindustries.com